

DRAFT COPY



INSTALLATION INSTRUCTIONS

Accessory	Application	Publications No.
CASSETTE/MULTI-MEDIA/ IN-DASH CD PLAYER ATTACHMENT DRAFT COPY	2004 ACCORD 2- AND 4-DOOR	All 25716
		Issue Date SEP 2003

PARTS LIST

Attachment Kit (sold separately):
P/N 08B06-SDA-100

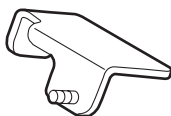
Left player bracket



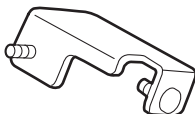
Right player bracket



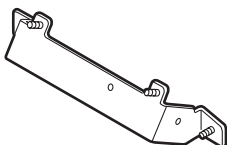
Left player subbracket



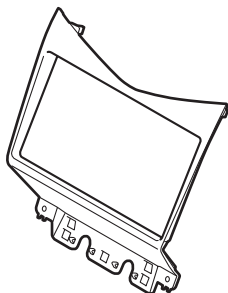
Right player subbracket



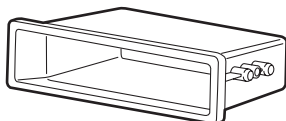
Player base-bracket



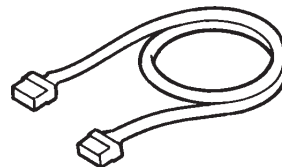
Player panel



Pocket



BUS cable



2 Latches



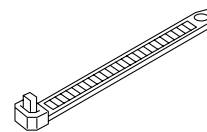
8 Flange nuts, 6 mm



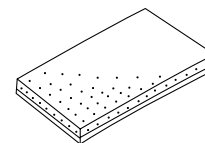
2 Grommet screws



2 Wire ties



3 EPT sealers

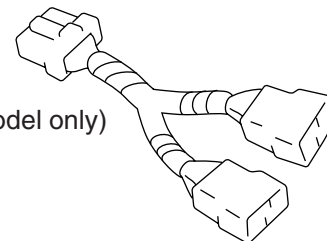


2 Self-tapping screws, 4 x 12 mm



Bus Cable 2 Port (sold separately):
P/N 08A31-0F1-000

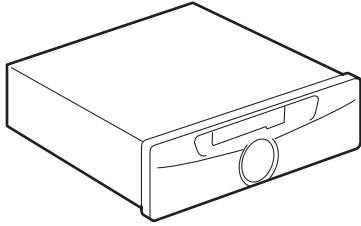
BUS cable 2 Port
(for XM radio equipped model only)



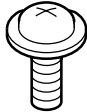
DRAFT COPY

Cassette Player (sold separately): P/N 08A03-5E1-000

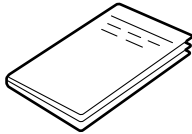
Cassette player



4 Washer-screws, 5 x 8 mm

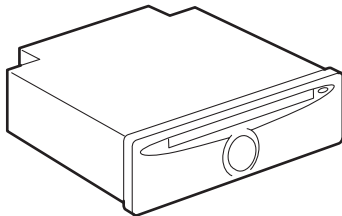


Owner's Manual



Multi-media Player (sold separately): P/N 08A06-4E1-200

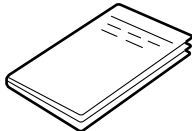
Multi media player



4 Washer-screws, 5 x 8 mm

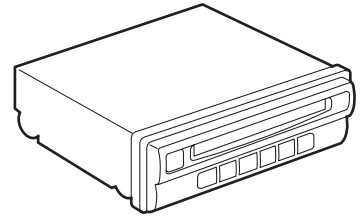


Owner's Manual



In-Dash CD Player (sold separately): P/N 08A06-3E1-300

In-dash CD changer



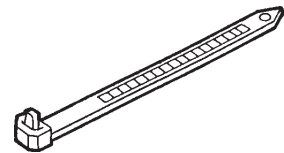
6 Washer-screws, 5 x 8 mm



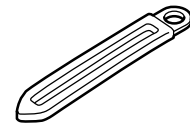
Washer-screw, 4 x 6 mm



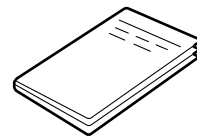
Wire tie



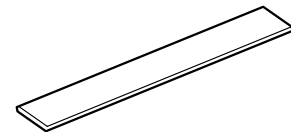
Harness clip



Owner's Manual



Seat



TOOLS AND SUPPLIES REQUIRED

Phillips screwdriver
Flat-tip screwdriver
10 mm Combination wrench
Ratchet
10 mm Socket
File
Utility knife
Scissors
Shop towel
Hook tool
Masking tape
Tape measure

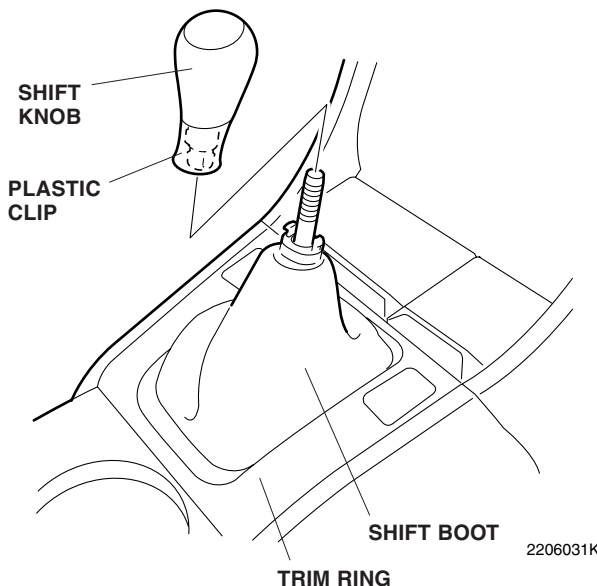
INSTALLATION

Customer Information: The information in this installation instruction is intended for use only by skilled technicians who have the proper tools, equipment, and training to correctly and safely add equipment to your car. These procedures should not be attempted by "do-it-yourselfers."

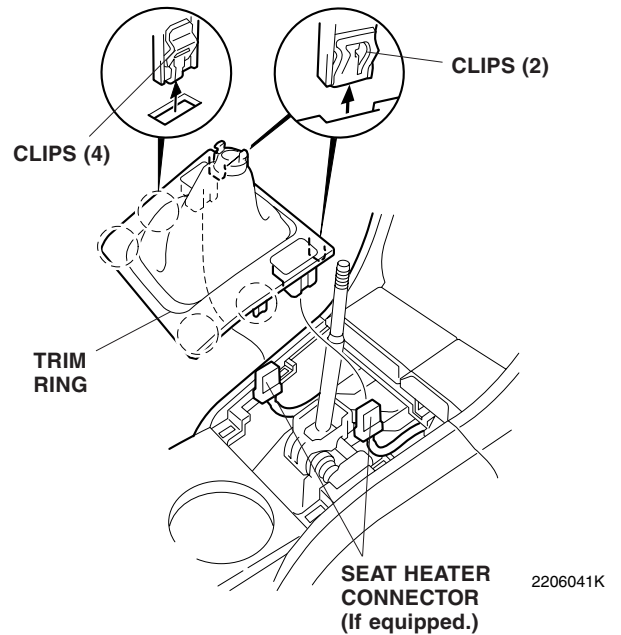
1. Make sure you have the anti-theft code for the radio, then write down the frequencies for the preset buttons.
2. Disconnect the negative cable from the battery.
3. Remove the trim ring.

M/T Model

- Squeeze the plastic clip and pull down on the shift knob. Remove the shift knob by turning it counterclockwise.

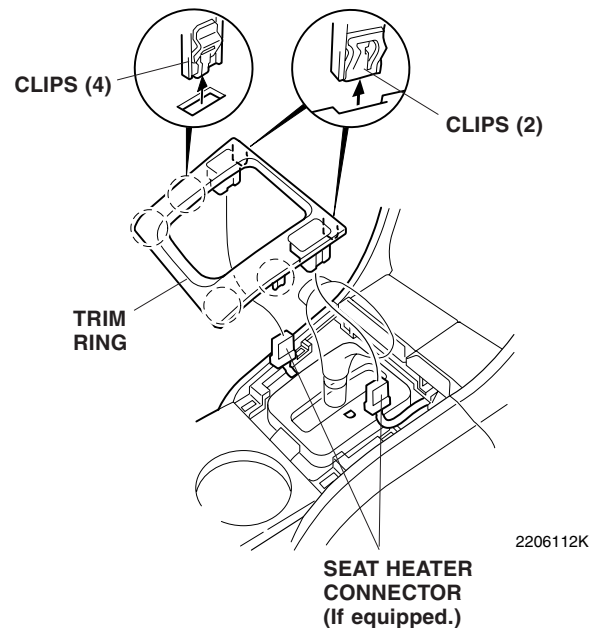


- Gently pry up on the trim ring to release the six clips.
- Unplug the two seat heater connectors (if equipped), and remove the trim ring.



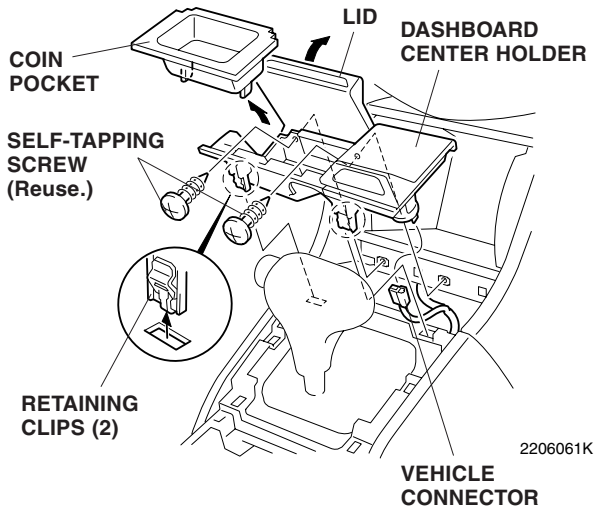
A/T Model

- Gently pry up on the trim ring to release the six clips.
- Unplug the two seat heater connectors (if equipped), and remove the trim ring.

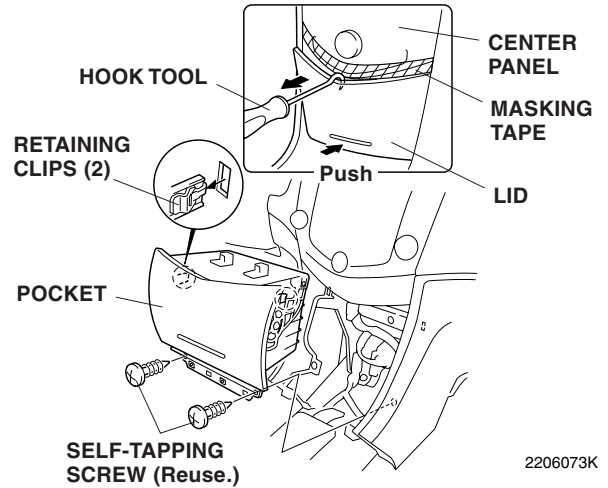


DRAFT COPY

4. Remove the dashboard center holder:
 - Open the coin pocket lid and remove the coin pocket.
 - Remove the two self-tapping screws.
 - Gently pull out on the dashboard center holder to release the two retaining clips, unplug the vehicle connector, and remove the dashboard center holder.

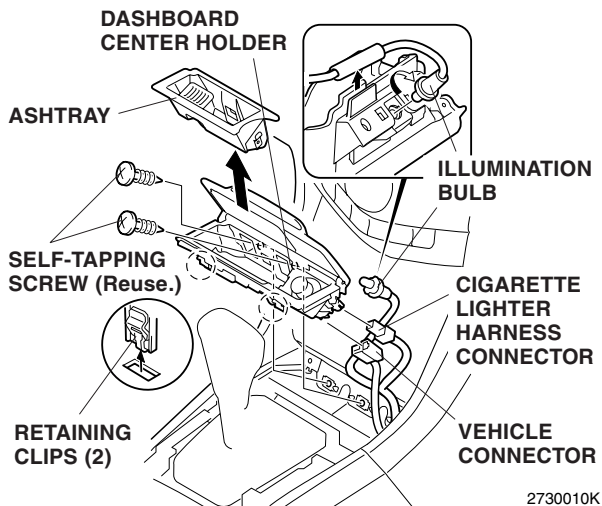


5. Remove the pocket:
 - Apply masking tape to the edge of the center panel.
 - Remove the two self-tapping screws.
 - Push in on the bottom of the pocket, then pull out on the top by inserting the end of a hook tool between the pocket and center panel, and pulling it out toward you to release the two retaining clips.

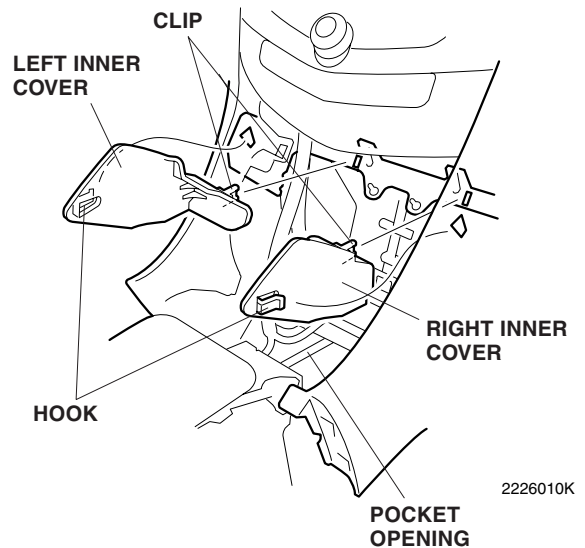


With Ashtray

- Open the lid and remove the ashtray.
- Remove the two self-tapping screws.
- Gently pull out on the two retaining clips, unplug the cigarette lighter harness connector, vehicle connector, illumination bulb, and remove the dashboard center holder.

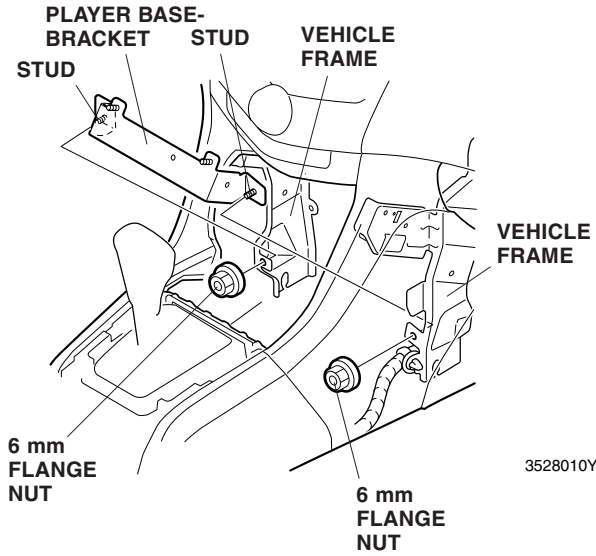


6. Remove the right and left inner covers (one hook and one clip for each cover).

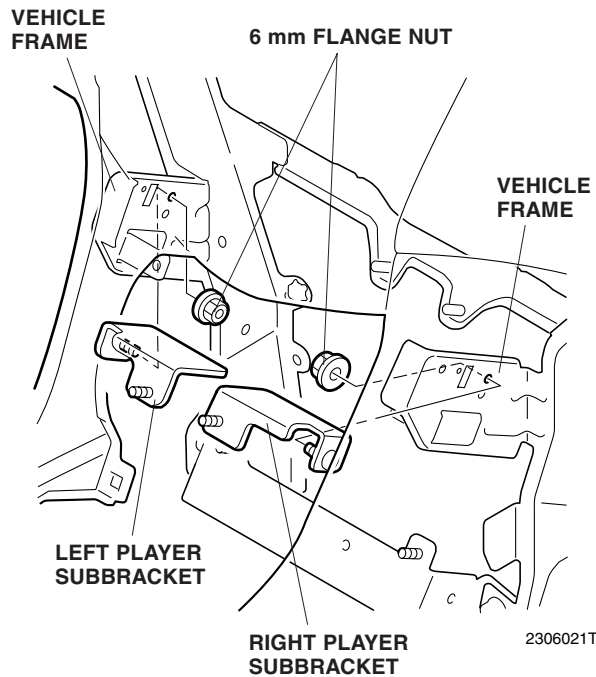


Installing the Player

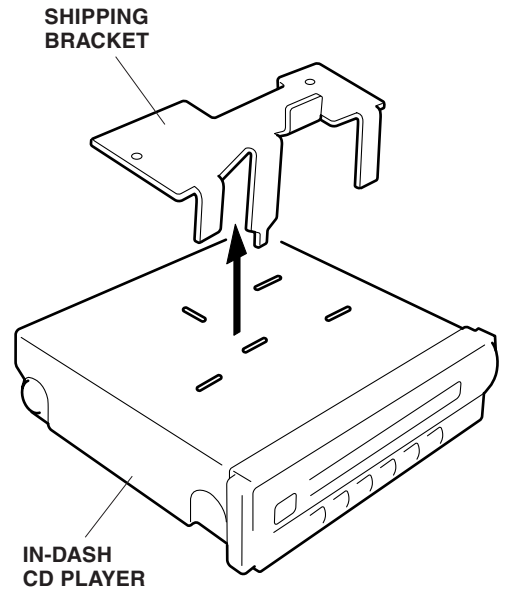
7. Insert the studs from the player base-bracket into the holes in the vehicle frame from the back, then install the two 6 mm flange nuts while holding the bracket firmly against the vehicle frame.



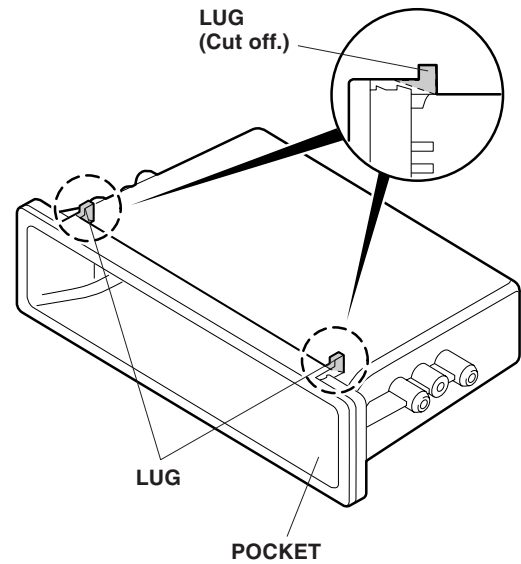
8. Insert the studs of the left and right player subbrackets into the holes in the vehicle frame, then install one 6 mm flange nut on the end of each stud while pushing each subbracket upward.



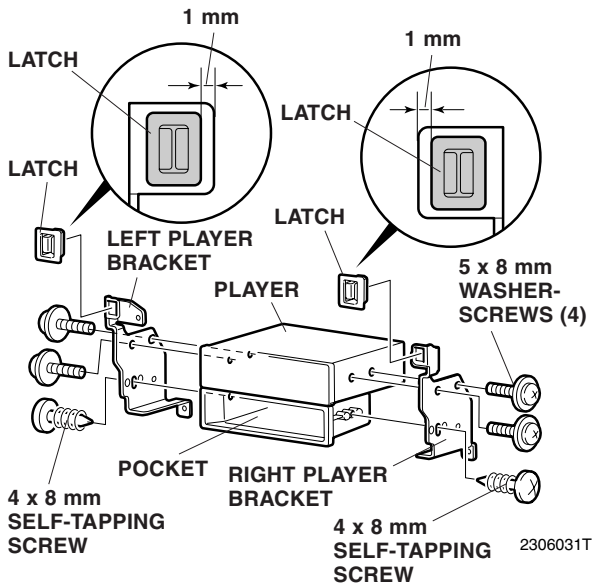
9. If you are installing an in-dash CD player, remove the shipping bracket.



10. Get the pocket. Using a utility knife, cut the two lugs off from the pocket.



11. Install the one latch to the left and right player brackets.



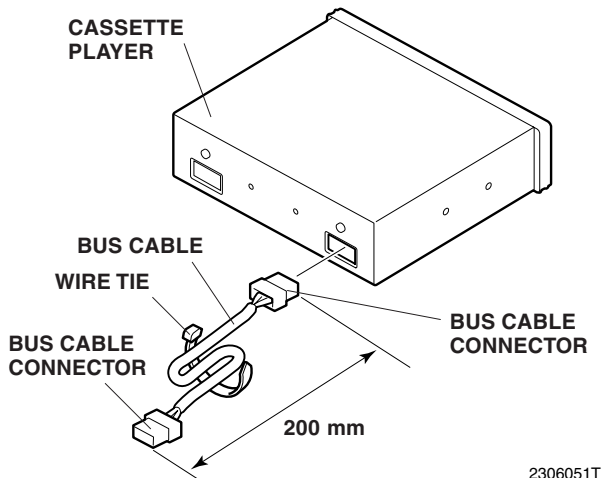
12. Position the left and right player brackets on the player and pocket, and install four 5 x 8 mm washer-screws, and two 4 x 8 mm self-tapping screws.

If the car is equipped with a XM radio, go to step 14; if not, continue with step 13.

13. Plug the BUS cable to the player.

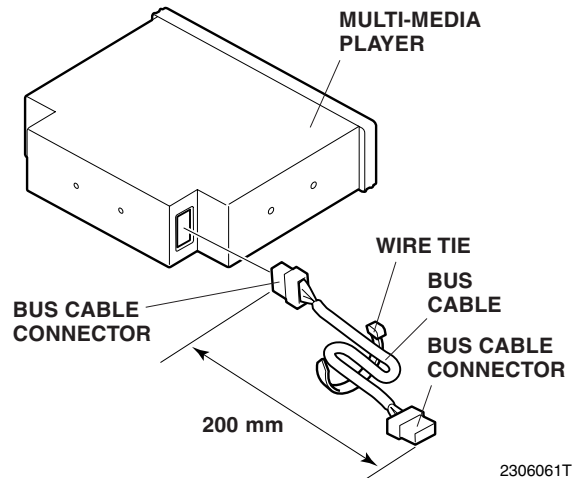
Cassette Player

- Make loops in the BUS cable and secure it with one wire tie, so that the distance between the ends of the cable connectors are 200 mm. Plug the BUS cable connector into the cassette player connector.



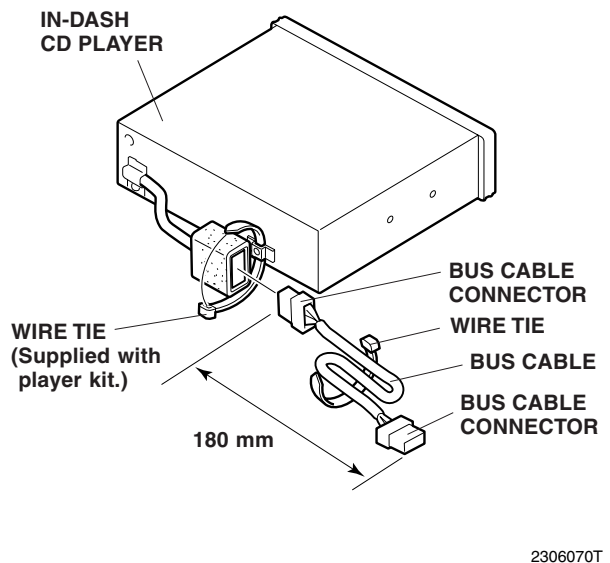
Multi-media Player

- Make loops in the BUS cable and secure it with one wire tie, so that the distance between the ends of the cable connectors are 200 mm. Plug the BUS cable connector into the multi media player connector.



In-dash CD Player

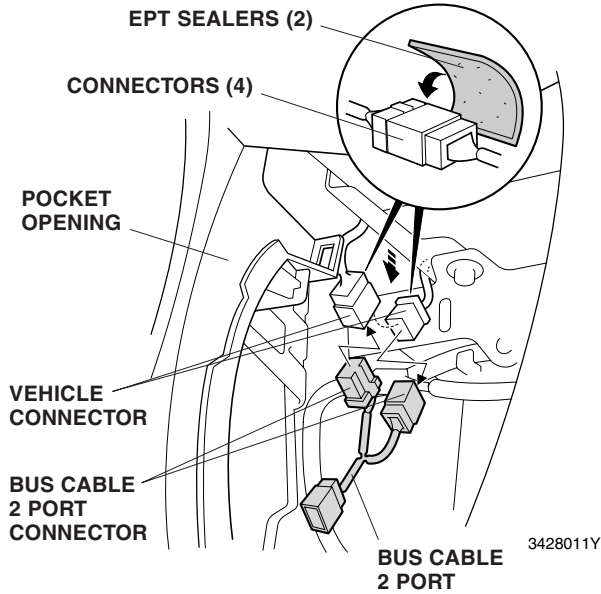
- Make loops in the BUS cable and secure it with one wire tie, so that the distance between the ends of the cable connectors are 180 mm. Plug the BUS cable connector into the connector from the in-dash CD player.
- After connecting, secure the connectors to the rear of the in-dash player with one wire tie from in the in-dash CD player kit.



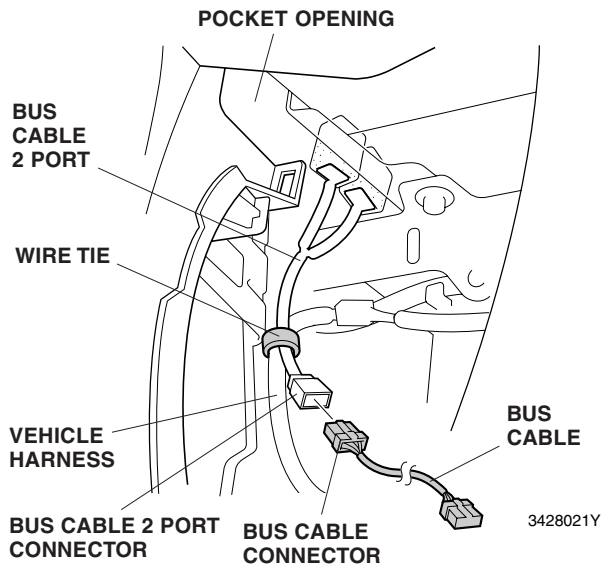
DRAFT COPY

If the car is equipped with a XM radio, continue with step 14; if not, go to step 19.

14. Pull out the plugged vehicle connector as shown. Unplug the vehicle connector, and plug in the BUS cable 2 port connectors in between.

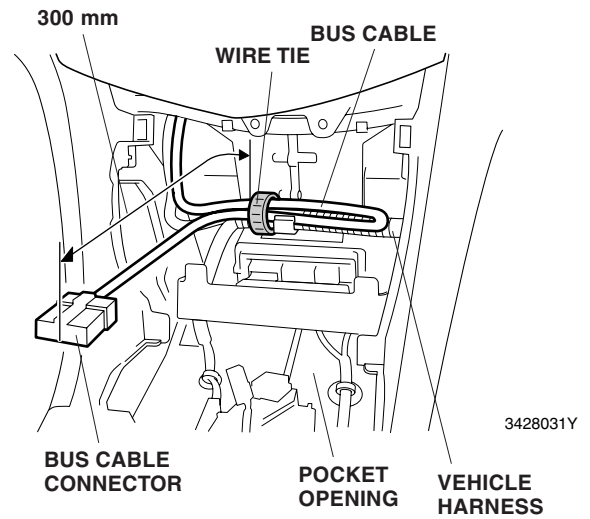


15. Wrap the plugged connectors with the two EPT sealers.
16. Plug the BUS cable to the BUS cable 2 port connector.

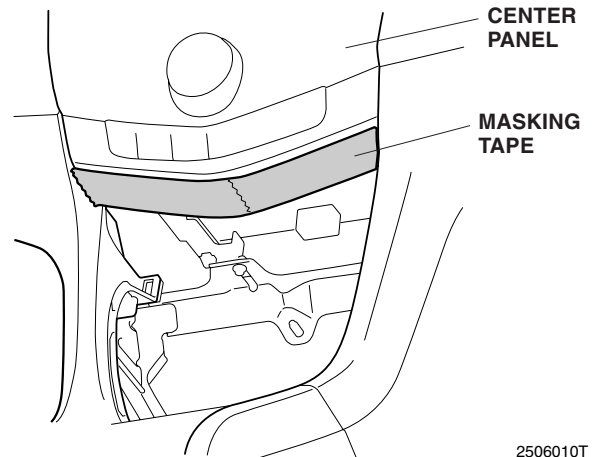


17. Secure the BUS cable 2 port to the vehicle harness with the one wire tie.

18. Secure the BUS cable to the vehicle harness with the one wire tie, so that the distance between the wire tie and the end of the BUS cable connector are 300 mm.

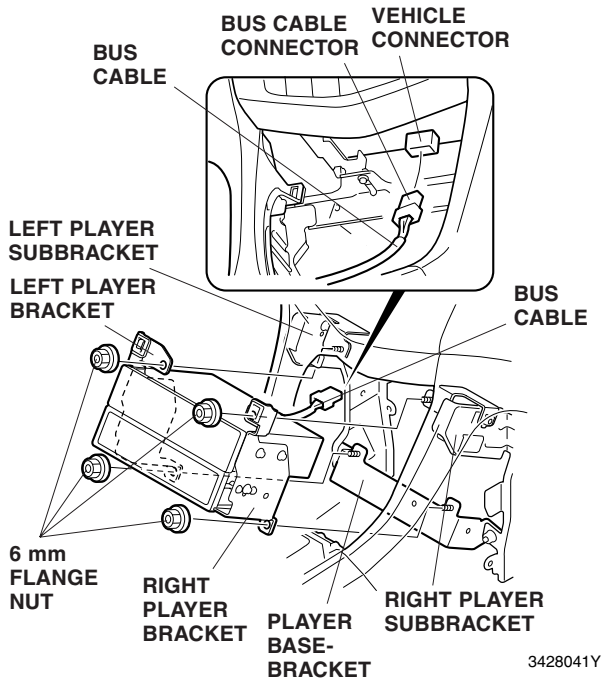


19. To protect the center panel, attach the masking tape to the panel in the area shown.

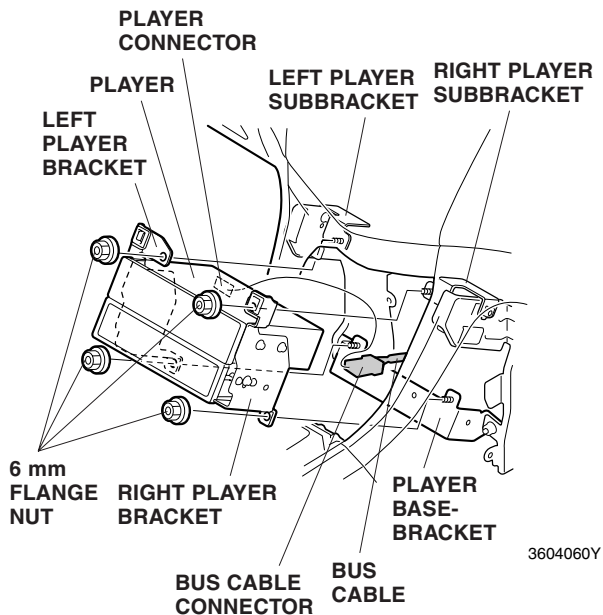


20. Plug the BUS cable connector into the vehicle connector or the player connector. Insert the studs of the left and right player subbrackets and player base-bracket into the holes in the left and right player brackets, then install one 6 mm flange nut on the end of each stud.

<Without XM radio>

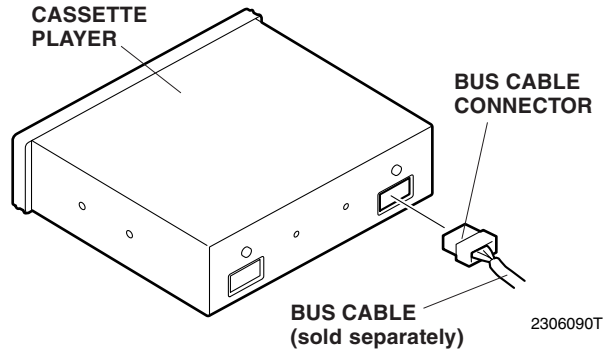


<With XM radio>

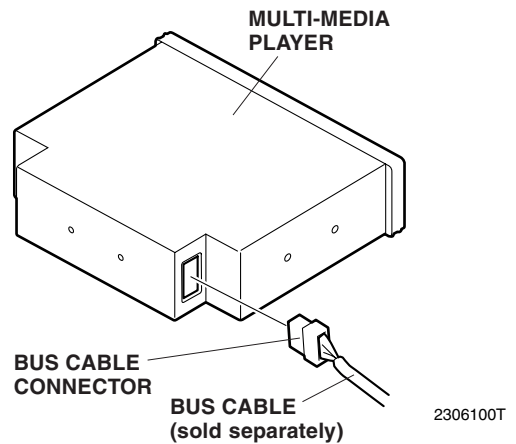


If your vehicle is equipped the XM radio system, refer to below the illustration.

Cassette Player

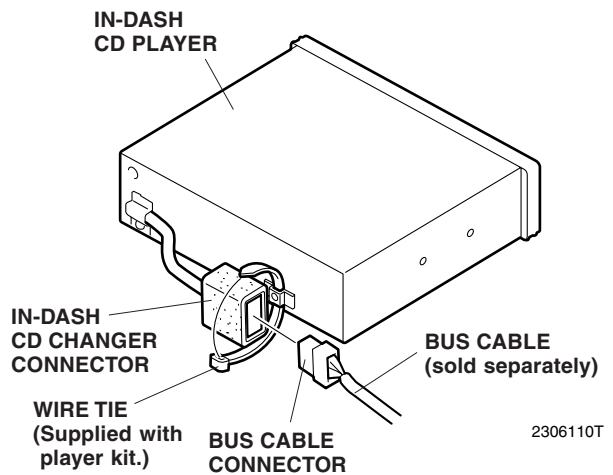


Multi-media Player



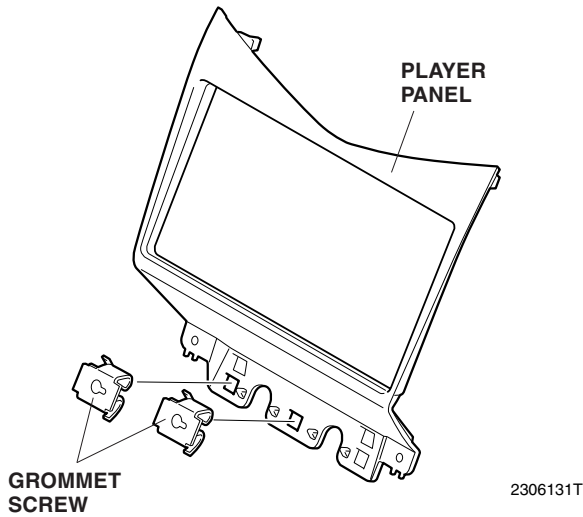
In-dash CD Player

- After connecting, secure the connectors to the rear of the in-dash CD player with one wire tie from in the in-dash CD player kit.

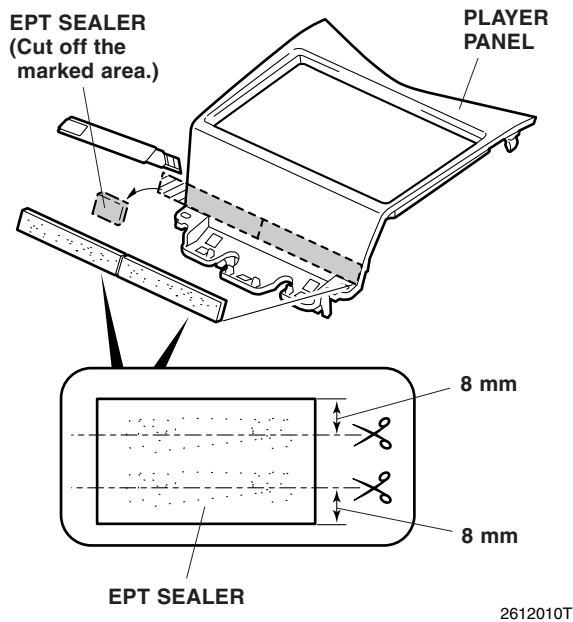


DRAFT COPY

21. Attach the two grommet screws to the player panel in the square holes shown.

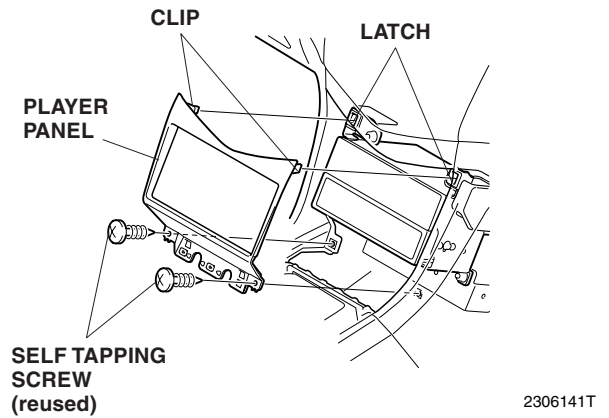


22. Measure and cut the EPT sealer as shown.



23. Clean the player panel with isopropyl alcohol where the EPT sealers will attach. Attach the EPT sealer to the player panel and cut off the marked area from the player panel.

24. Insert the player panel clips into latches, and attach the player panel to the instrument panel with the two self-tapping screws you removed in step 5. Remove the masking tape.



25. Check that all wire harnesses are routed properly and all connectors are plugged in.
26. Reconnect the negative cable to the battery.
27. Enter the customer's radio anti-theft code, and reset the radio station presets.
28. Set the clock.
29. Check the operation of the player according to the its Owner's Manual.
30. Put the player Owner's Manual in the glove box.
31. Reinstall all removed parts.

NOTE: Whenever the battery is disconnected, the driver's window AUTO function is disabled.

32. Start the engine. Push down fully on the driver's window switch until the window is fully open.
33. Pull up fully on the driver's window switch to close the window completely, then hold the switch for 2 seconds.
34. Test the window AUTO function.